

## EasyPath GT812 GEAPON ONU

EasyPath GT812 is a mini broad bandwidth ONU (Optical Network Unit) of EPON series. It adopts mini-type compact structure design with high-integration and can provide 8 FE interfaces and layer-2 switch function. GT812 supports multicast service, and it is easy to maintenance and manage. It applies to FTTB/FTTP access applications for resident and business users.



## Features

Technical specifications			
PON optical interface	Interface type: SC/PC Fiber mode: single fiber Wavelength: 1310/1490nm		
Ethernet interface	Interface: 8*FE Standard: IEEE 802.3 Data rate: 10/100M auto-sensing Interface type: RJ45 Working mode: half/full duplex, auto-sensing MDI/MDIX: auto-sensing		
Local network management interface	Physical interface: RJ45 Realize in-band network management via Ethernet service interface		
System features			
Data rate	Uplink/downlink 1.25Gbps	MAC address	8k
Transmission distance	20km	Split ratio	1:64
VLAN	Support IEEE 802.1Q (VLAN) Support 128 VLAN Support IEEE 802.1ad (QinQ) Support VLAN transparent transmission Support VLAN trunk Support VLAN translation	Layer-2 function	Store-and-forward mode, it supports layer-2 wire-speed forwarding Maximum frame: 1600 bytes Support broadcasting storm control Support port/flow mirroring function Support rate-limiting of bi-direction interface
Data flow control	Support IEEE 802.3x (full duplex flow control) and back pressure flow control (half duplex)	DBA	Bandwidth increment is 64kbit/s Support fixed bandwidth/guaranteed bandwidth/maximal bandwidth, delay priority and etc SLA parameters

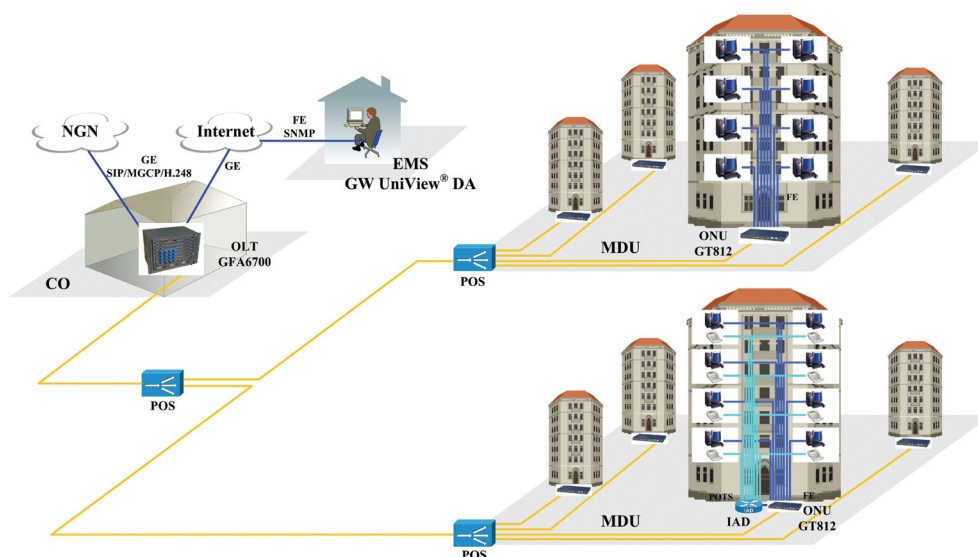
Multicast	Support SCB (Single Copy Broadcast) Support IGMP V1/V2 Support IGMP Snooping Support 256 multicast groups Support multicast authority control function Support fast-leave function Support static multicast 8M bytes large cache provides protection for burst flow of IPTV service	QoS	Support IEEE 802.1P PRI& DSCP Support classification based on MAC, IP, TCP/UDP port number or ToS/Diffserv Support SP queue schedule Support 8 classes of priority queue
Security	Support AES-128, data encryption arithmetic for both uplink and downlink Support dynamic update of key	Management and maintenance	Centralized OLT management based on OAM Support alarm and performance statistics, flow monitoring, loop-back test, dying gasp Support long-distance on line upgrade of timing automatism and batch Support monitoring function of long-distance Ethernet cable

### Physical specifications

Dimension(mm) (W*D*H)	260×135×42.5	Power supply	Adopts DC12V/1.2A power supply Input voltage range: AC100V~AC240V, 47~63Hz
Weight	<1kg	Power consumption	<10W
Environment requirement	Working temperature: 0℃~45℃ Storage temperature:-10℃~70℃ Humidity:10%~90% (non-condensing)		

## Application

EasyPath GT812 can be used with the central office OLT product of EasyPath GFA6700 series. It can be connected to ODN (Optical Distribution Network) which is composed of OLT and POS (Passive Optical Splitter) through a single fiber. GT812 can be located at the corridor to provide broadband access or used with IAD product to provide broadband and voice access.



**GW DELIGHT TECHNOLOGY CO., LTD**

Address: No. 38 Shangdi Xilu, Haidian District, Beijing, P.R. China 100085

Tel: +86-10-62961077

Fax: +86-10-82899881

Http://www.gwdelight.com

Email: gwdelight@gwdelight.com

## Ordering Info

<b>Part Number</b>	<b>Description</b>
GT812-IB	standalone (metal shell, mini type),GEPON ONU, 8*FE interface, single-mode, single strand, SC/PC, external 220VAC to 12V power module, 20km
GT812-NB	standalone (metal shell, mini type),GEPON ONU, 8*FE interface, single-mode, single strand, SC/PC, external 220VAC to 12V power module(Euro standard), 20km
GT812-BB	standalone (metal shell, mini type),GEPON ONU,8*FE interface, single-mode, single strand, SC/PC, 220VAC power module,20km
GT812-PB	standalone (metal shell, mini type),GEPON ONU, 8*FE interface, single-mode, single strand, SC/PC, Ethernet interface feedback for power supply, 20km
GT812-LB	standalone (metal shell, mini type),GEPON ONU,8*FE interface, single-mode, single strand, SC/PC, 220VAC power module(Euro standard),20km,