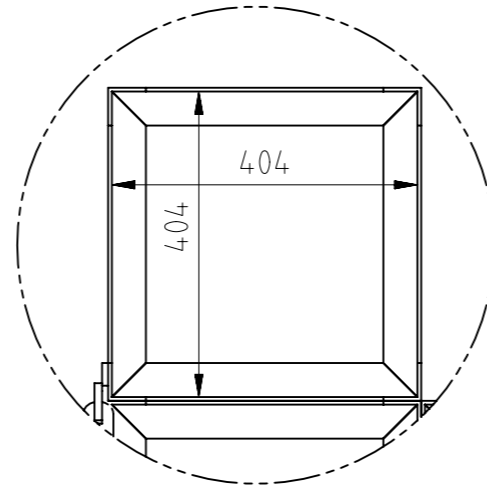
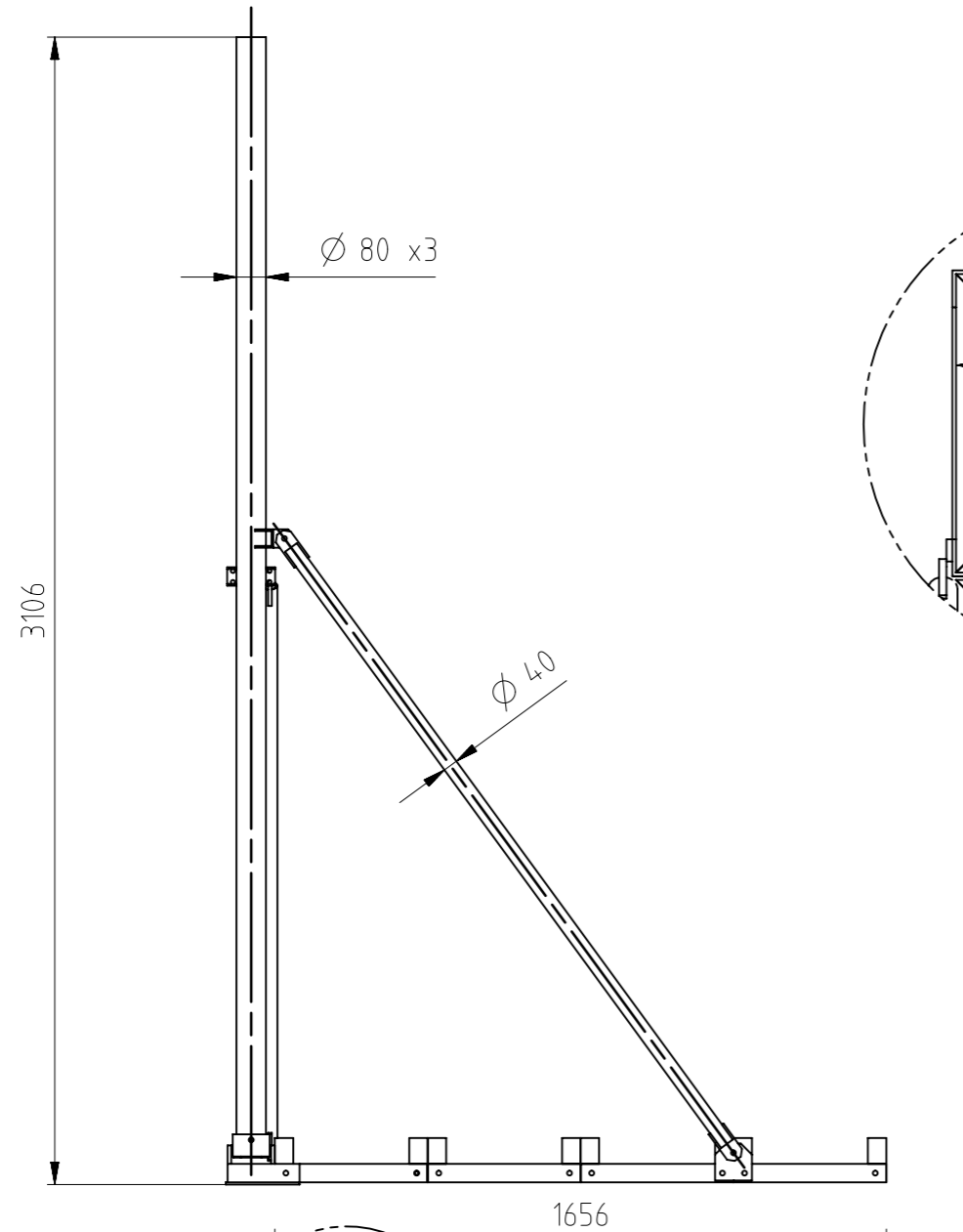
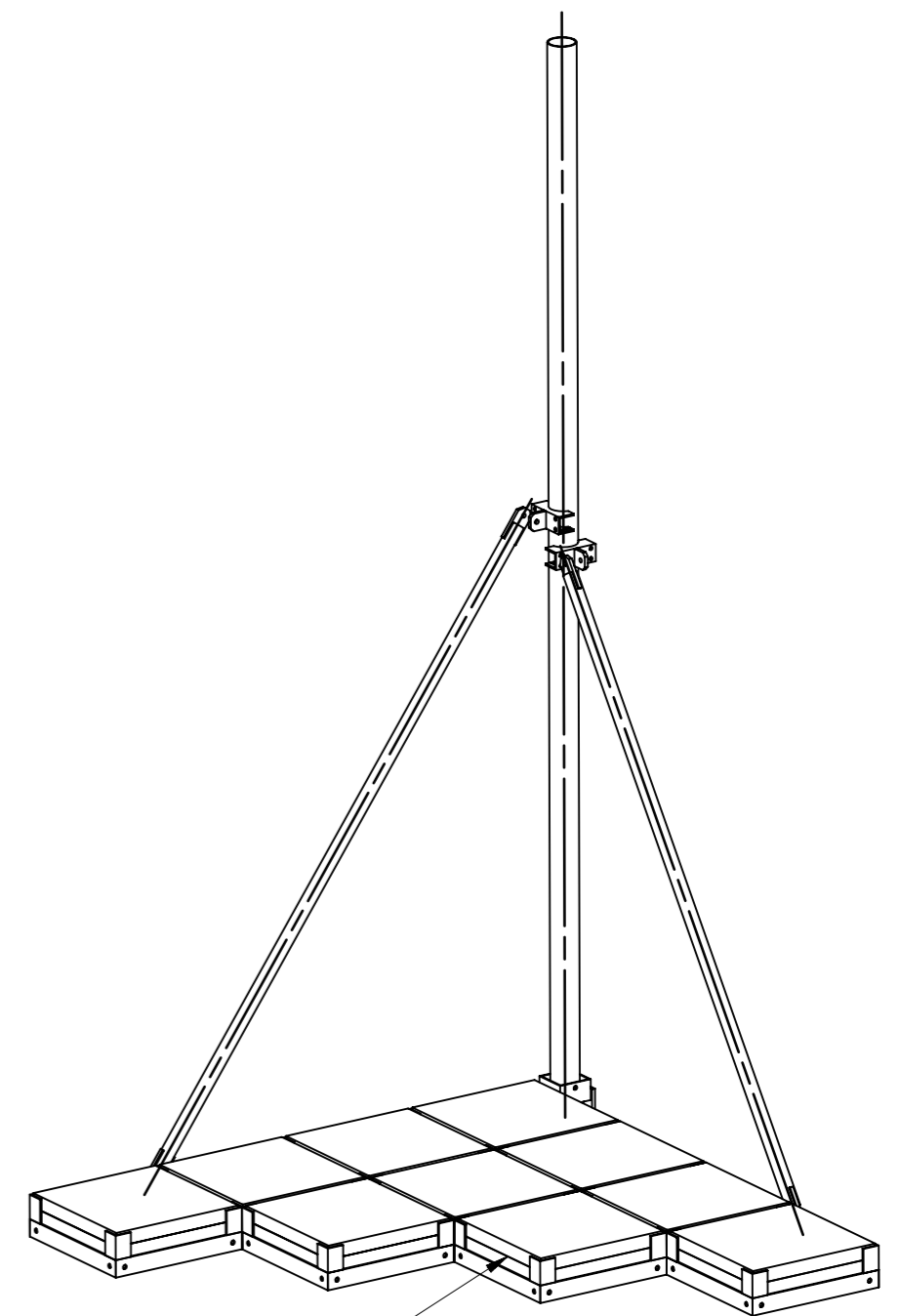
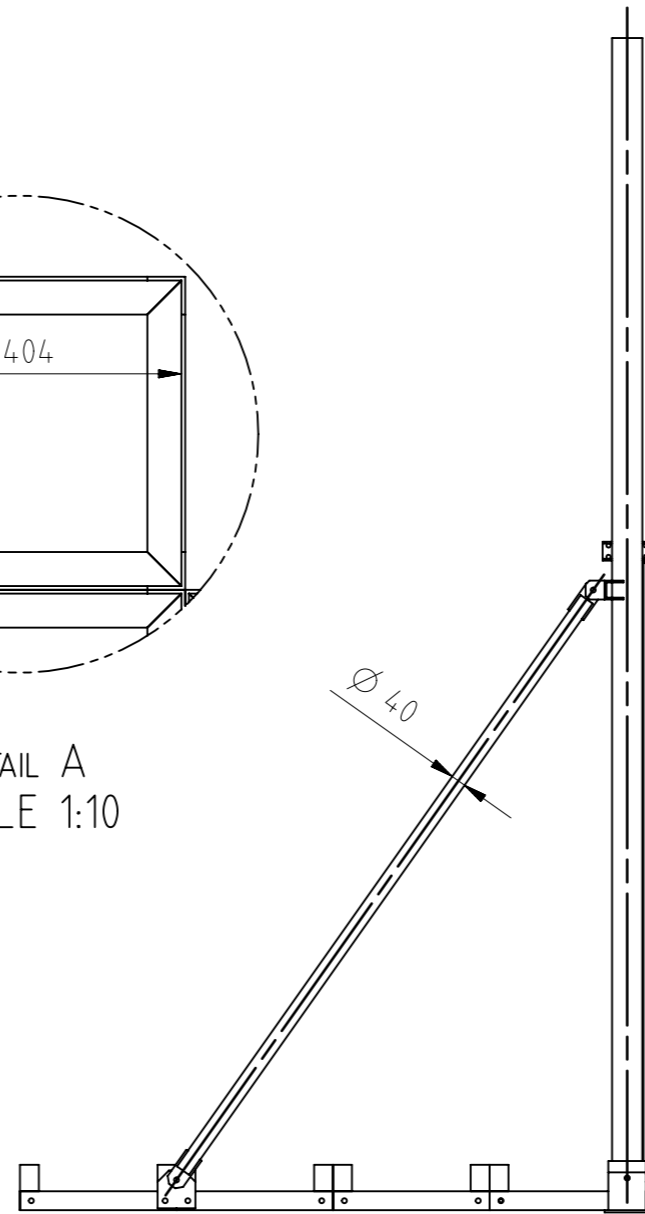


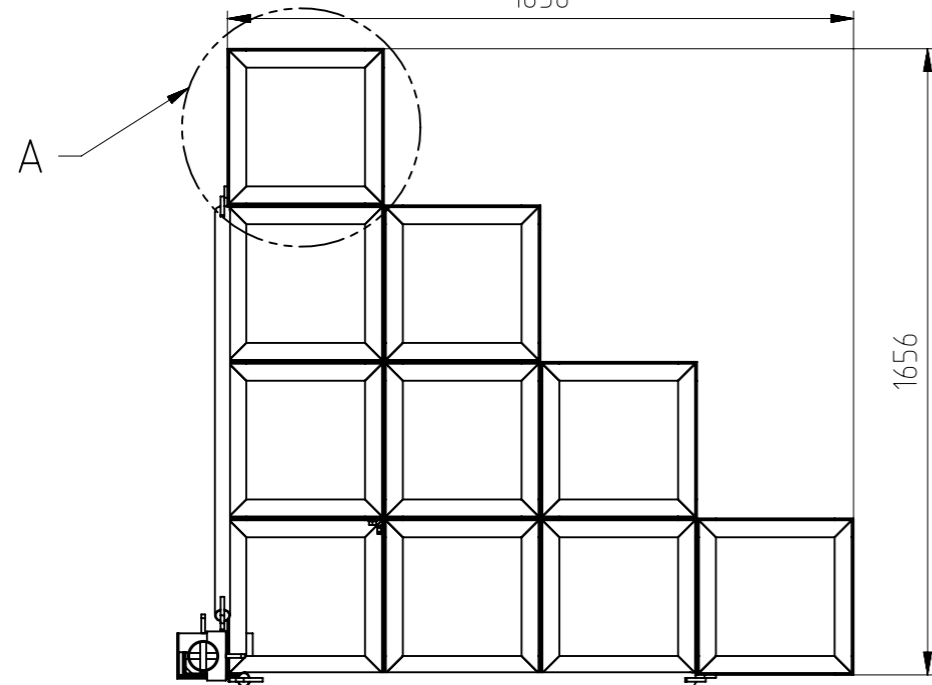
Rysunek jest własnością AluPro S.C.
 Wykorzystywanie, kopiowanie, przetwarzanie
 bez pisemnej zgody właściciela zabronione



DETAIL A
 SCALE 1:10



400x400x40 concrete block
 3 layers



<small>TOLERANCES UNLESS OTHERWISE SPECIFIED: ISO 2768-1/1989 "M" SERIES: ABOVE 0.5 3 6 30 120 400 1000 10000 DIMENSIONS ABOVE TO 10 50 120 400 DIMENSIONS ABOVE TO 10 50 120 400 TOLERANCE ±1.1 ±0.1 ±0.2 ±0.3 ±0.5 ±0.8 ±1.2 ±2</small>				THIS DRAWING CONTAINS CONFIDENTIAL INFORMATION WHICH IS THE PROPERTY OF AluPro SC COMPANY. THIS DRAWING MAY NOT BE REPRODUCED, TRANSFERRED OR USED, OR ITS CONTENTS DISCLOSED WITHOUT THE PRIOR WRITTEN PERMISSION OF AluPro SC COMPANY					
MATERIAL:		AW6063T6		QUANTITY:		DRAWN BY:		D.Wojciechowski	
MACHINE:				tbd		DATE:		18-07-2016	
DRAWING PREPARED FOR:				AluPro		CHECKED BY:			
TITLE:				ballast supported mast		3D FILE:			
FIRST ANGLE PROJECTION:						SCALE: 1 : 20		SHEET: 1 of 1	
						JOB NUMBER:			
						DRAWING NO°:		2016.07.18.01A	
						REV:		A	